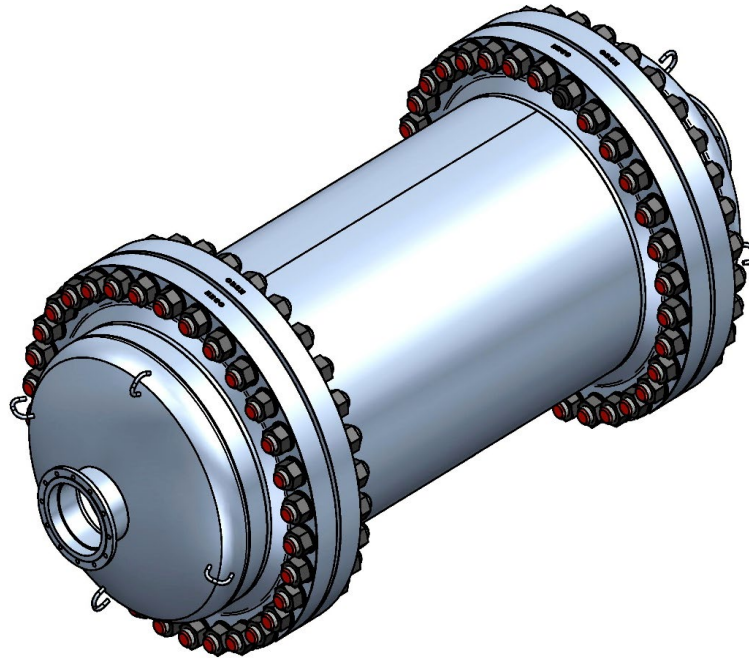


CYLINDER RECOVERY TRANSPORT VESSEL **GASTOR XL**



Emergency Response Recovery Vessel

Containment and Transport of Damaged Gas Cylinders

Transport of defective gas cylinders with a wide variety of different gases with ADR, RID and IMDG approval. On request also with US DOT approval. For approved list of gases see compatibility list D/BAM/DG-06-126/S. Also approved for Acetylene gas cylinders.

See several other sizes of the GASTOR Safety Container product line.

Custom design and production according to client specific requirements.

Technical Specification – GASTOR XL

- Building Regulation: ATR D1/16
- Test Pressure PH: 80 bar
- Volumetric capacity: 3.400 liters
- Maximum Product Bar x liter: 136.000
- Diameter inside: 1.100 mm
- Length inside: 2.600 mm
- Length outside: 4.000 mm
- Width outside: 1.400 mm
- Height outside: 1.600 mm
- Tara Weight: 8.500 kg
- Maximum Total Weight: 10.000 kg

A PARTNER FOR SAFETY SOLUTIONS

UTM Umwelt-Technik-Metallrecycling GmbH | **SAFETY**

Alt-Herrenwyk 12 | 23569 Lübeck | Germany



+49 451 30 20 940
info@utmluebeck.de
www.utmluebeck.de

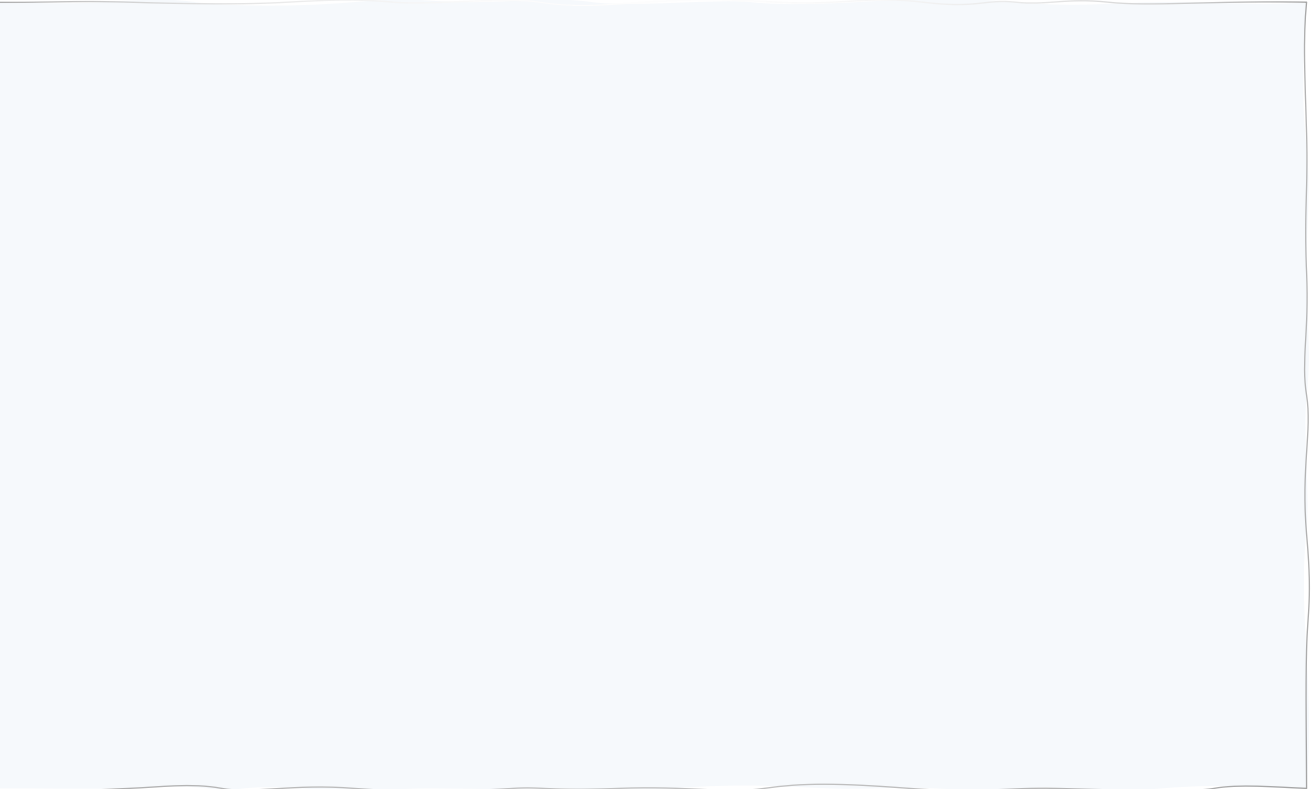
CUSTOMIZED **SOLUTIONS** FOR YOUR **SAFETY**

GASTOR Safety Containers are available in various sizes.

CYLINDER RECOVERY VESSEL

GASTOR XS | GASTOR S | GASTOR M | GASTOR L | GASTOR XL

ROOM FOR YOUR **IDEAS**



Please contact us with your specific needs or for our safety solutions:

- TRANSPORT AND STORAGE CONTAINER FOR LIQUIDE MERCURY:
QC 80 | QC 150 | SC900
- REMOTE CONTROLLED SALVAGE SYSTEM
ROSS
- TRANSPORT CONTAINER FOR EXPLOSIVES AND CHEMICAL WARFARE AGENTS
EXPLO

